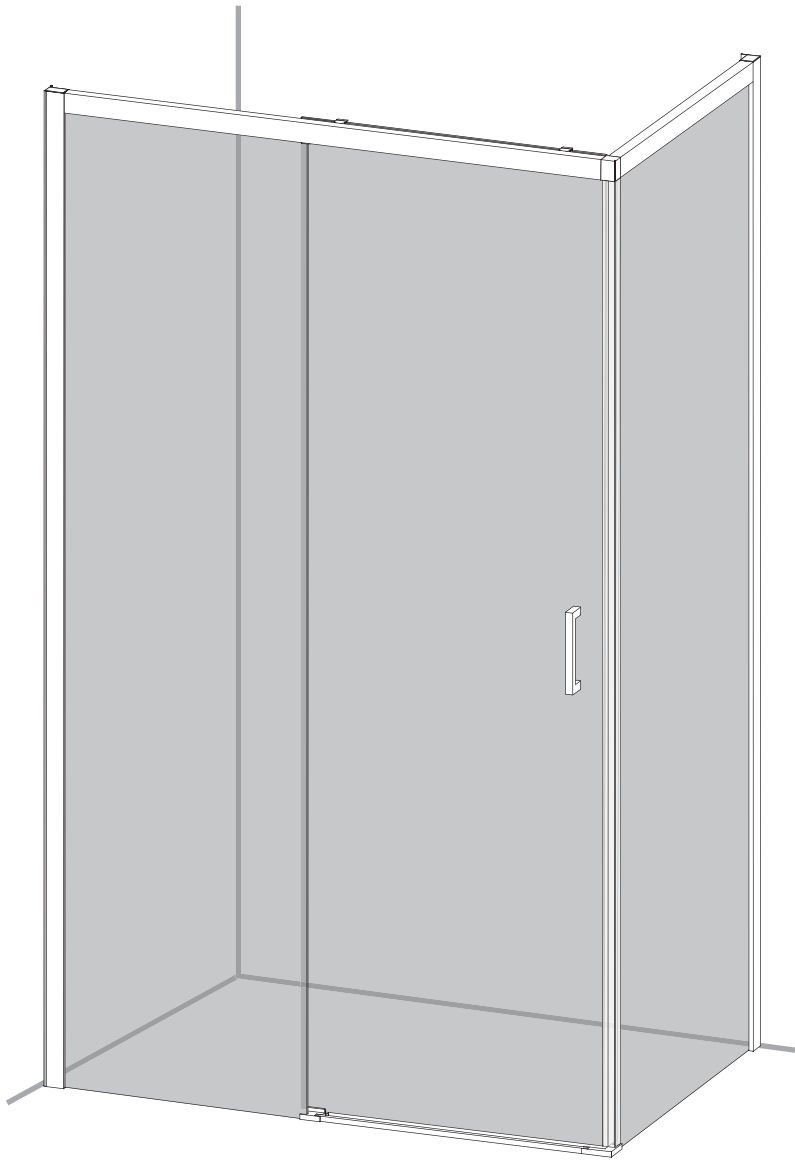


CE
EN14428
CE
EN12150

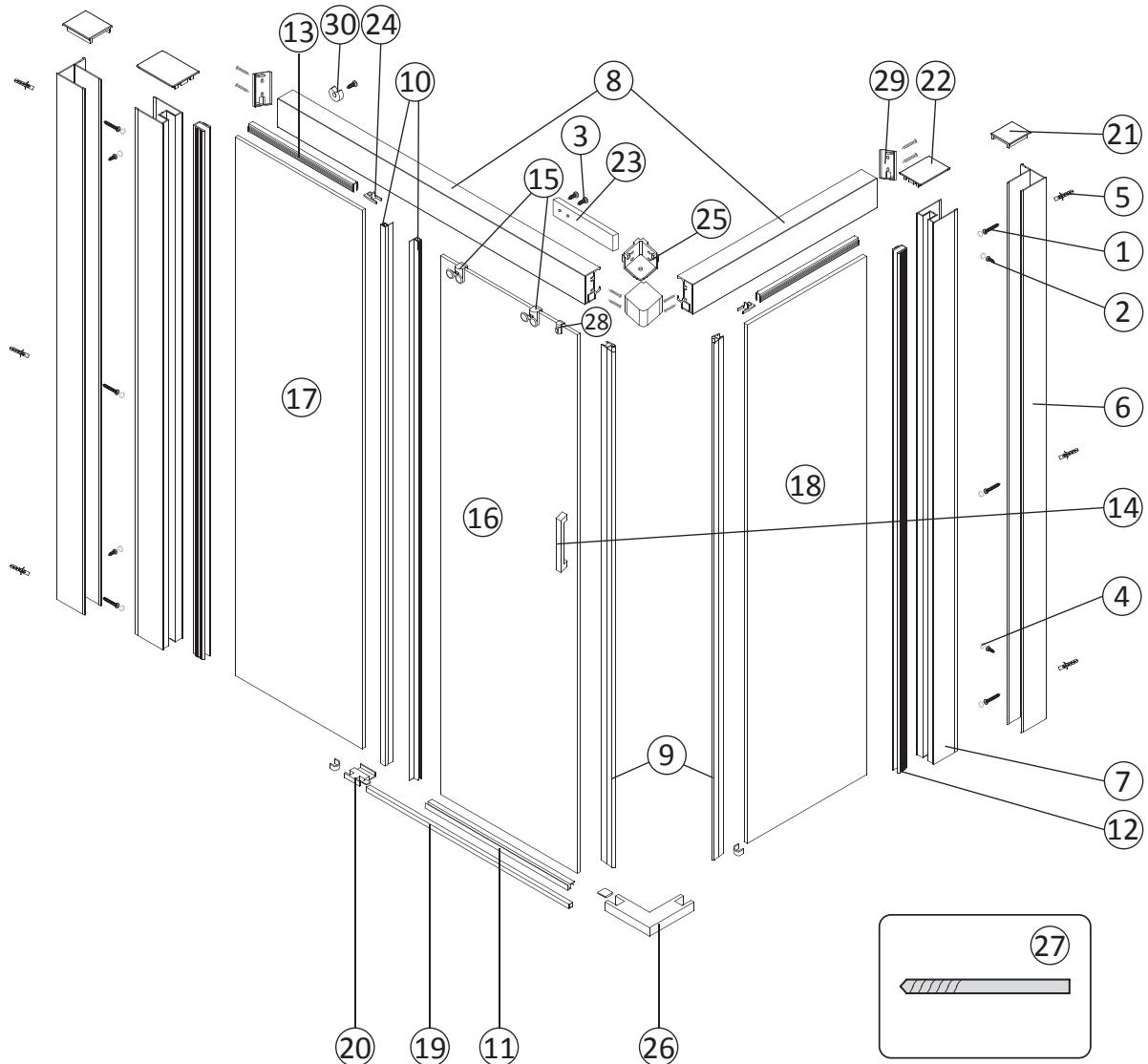
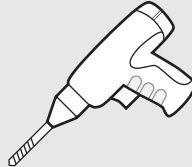
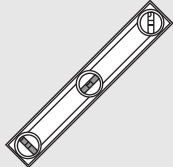
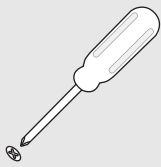
All shower products are designed and manufactured according to EN14428
All the glass used on the the product are certified and tested according to EN12150

Todas las mamparas han sido diseñadas y fabricadas de acuerdo a EN14428
Todos los cristales utilizados en nuestros productos están certificados y probados de acuerdo a EN12150



**ANGULAR
DUCHA
2 FIJO Y
1 PUERTA
CORREDERA**

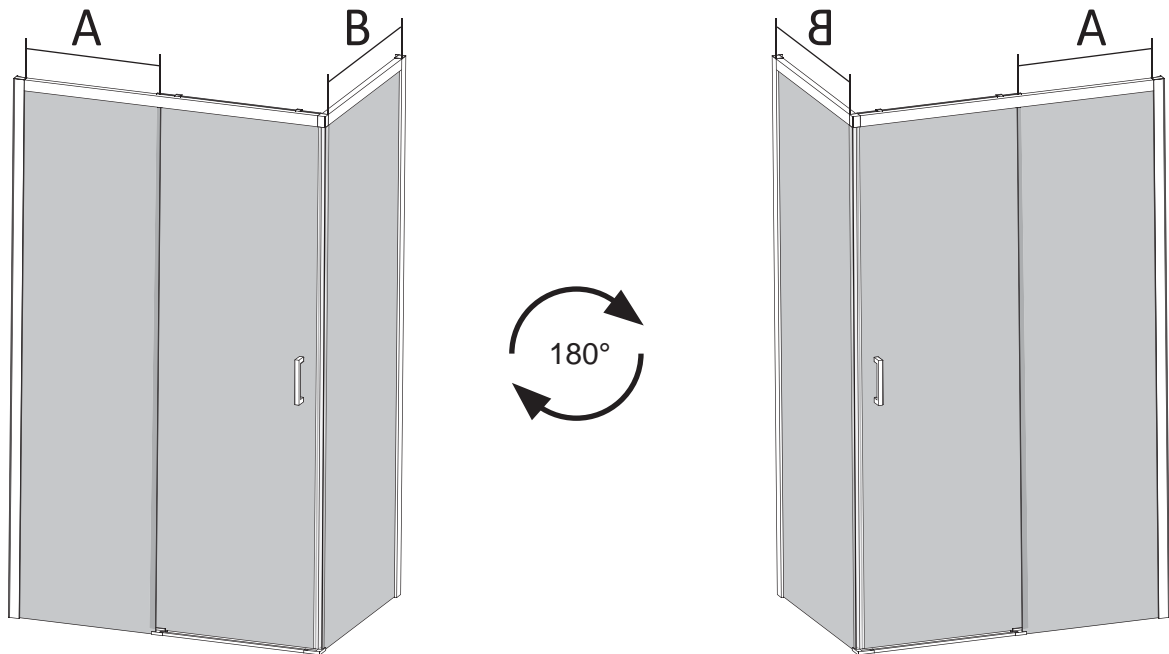
LYON



#	Description/Descripción
1	ST4x35mm screw set
2	ST4x10mm screw set
3	ST4x12mm screw set
4	Screw cover
5	Wall plugs
6	Wall profile
7	Fix profile
8	Rail profile
9	Magnetic gasket
10	Water proof gasket
11	Bottom gasket on door
12	U-Shape gasket for fix profile
13	U-Shape gasket for rail profile
14	Handle set
15	Twin- wheel set

#	Description/Descripción
16	Sliding door glass
17	Fix panel glass(A)
18	Fix panel glass(B)
19	Bottom stainless steel stripe
20	Bottom rail guider
21	Cover for wall profile
23	Cover for fix profile
23	Buffer
24	Decorate cover for rail profile
25	Profile Plastic Corner Set
26	Sliding guide set
27	Drill bit
28	Touch device
29	Guideway cover
30	Wheel stopper

ATENCIÓN



Size	70	80
Untying B(mm)	585	685



Size	100	110	120	130	140	150	160	170
Untying A(mm)	406	456	506	556	606	656	706	756

