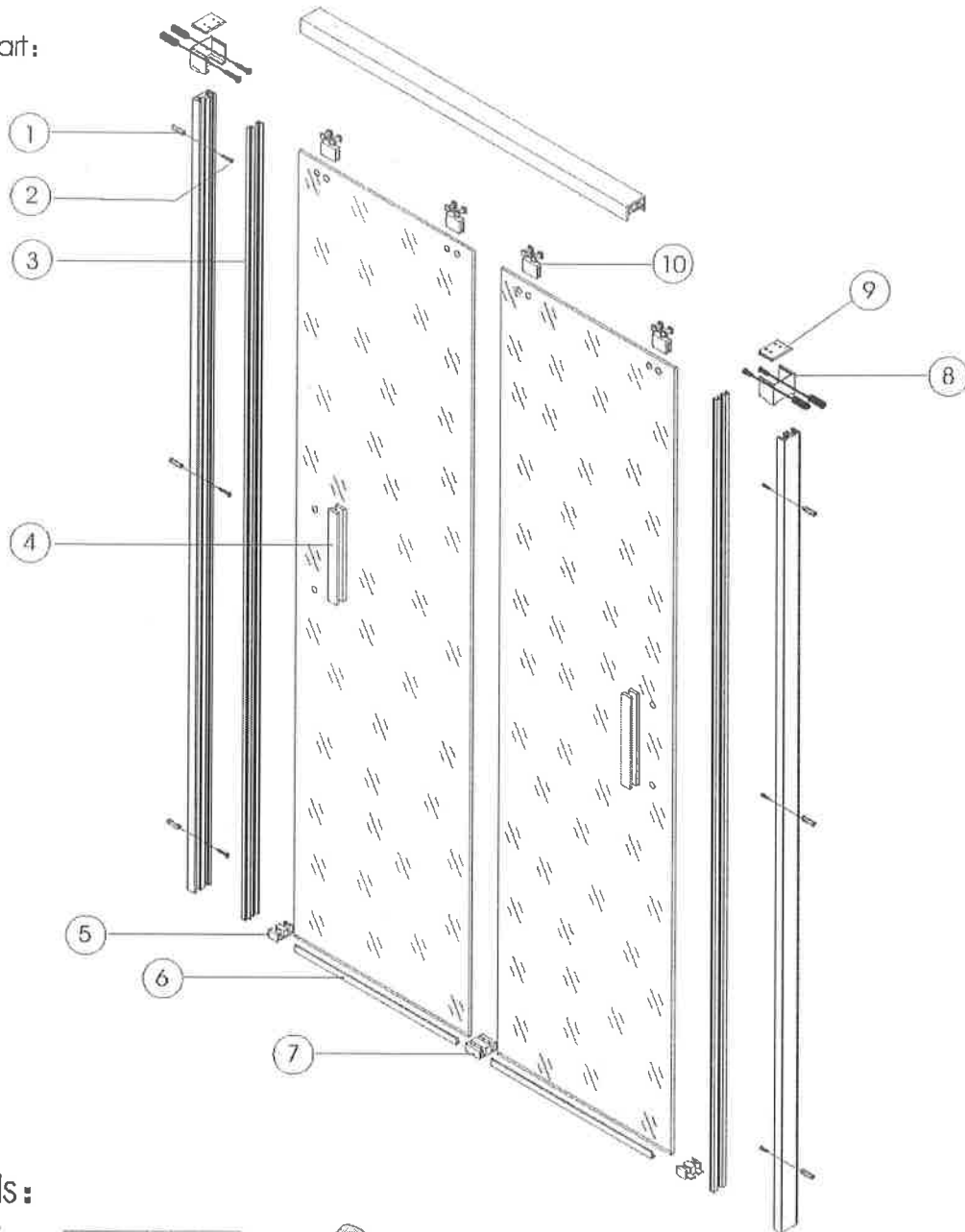


# Installation instruction











## I. Body part:



## II. Tools:

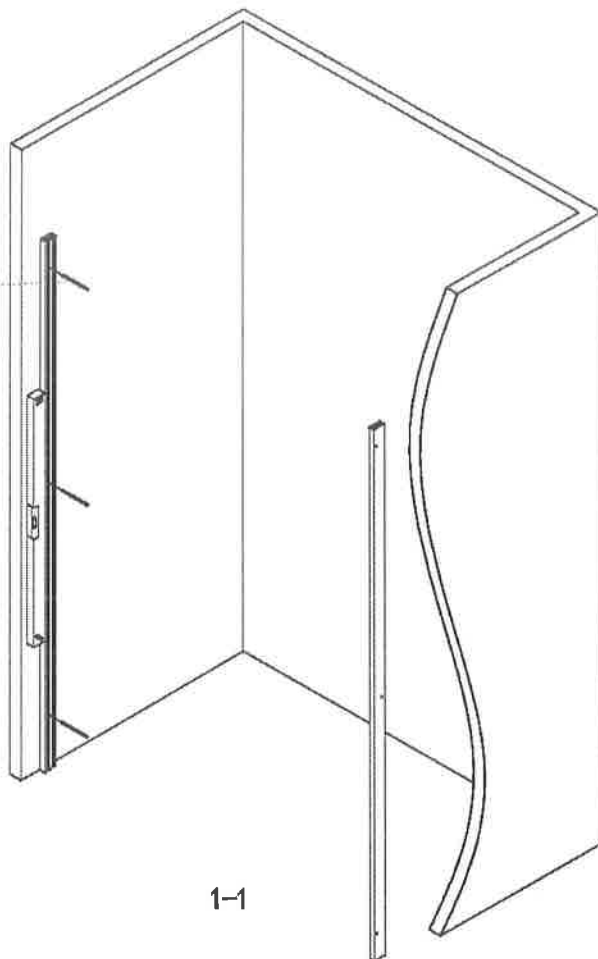


## III. Hardware list:

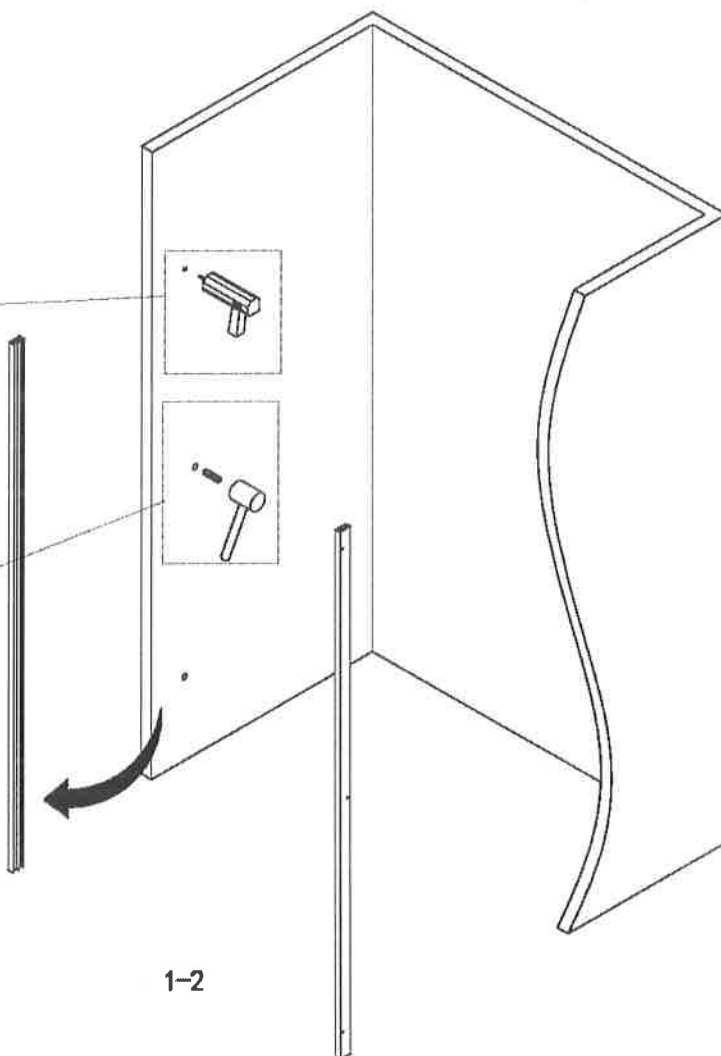
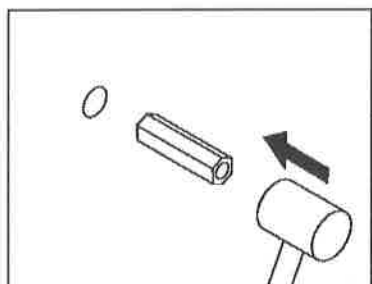
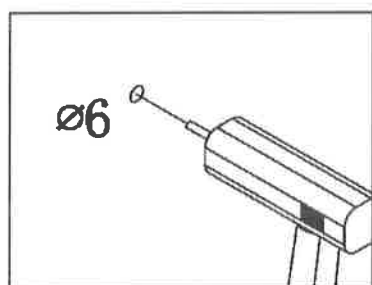
Number	Pic	Qty	Number	Pic	Qty	Number	Pic	Qty	Number	Pic	Qty
1		10	4		2	7		1	10		4
2	 ST4*30	10	5		LR/1	8		2			
3		4	6		2	9		2			

IV. Steps:

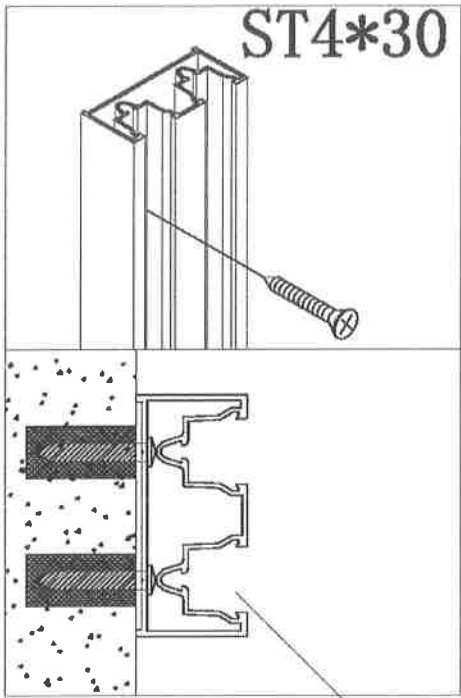
Pencil



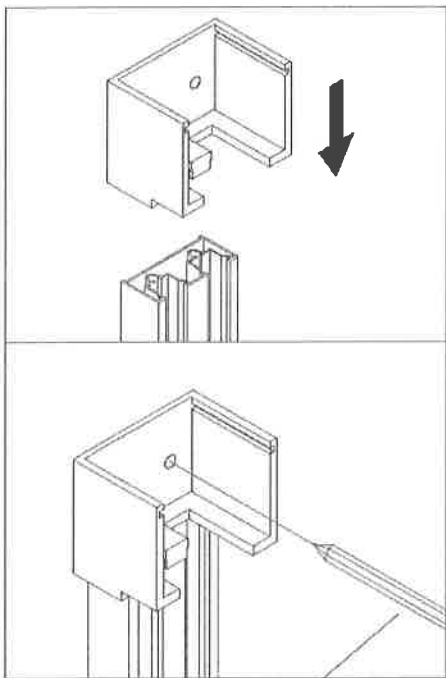
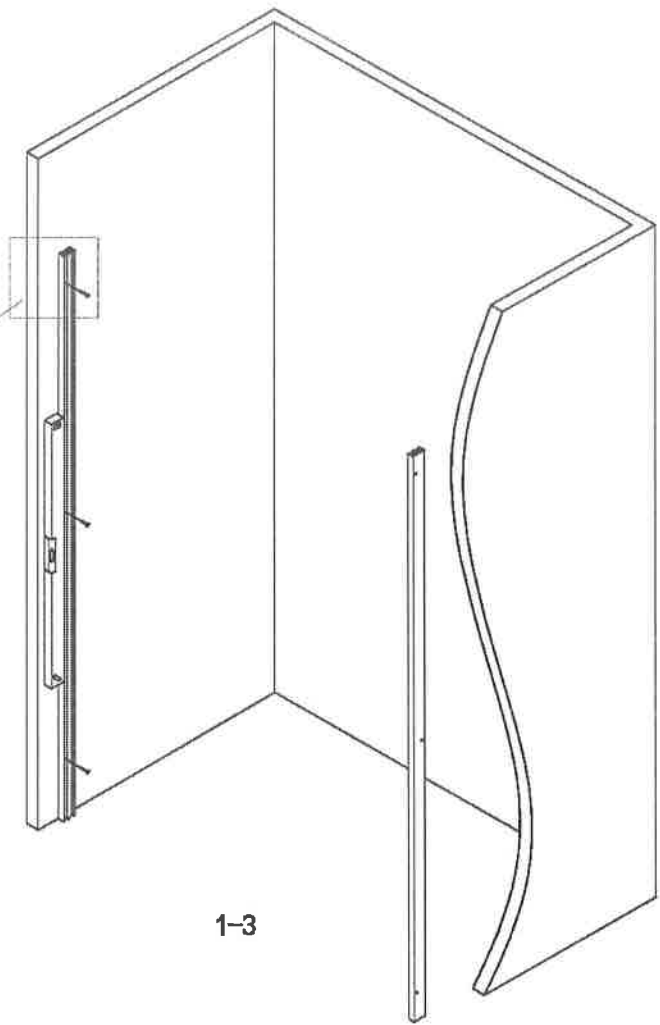
1-1



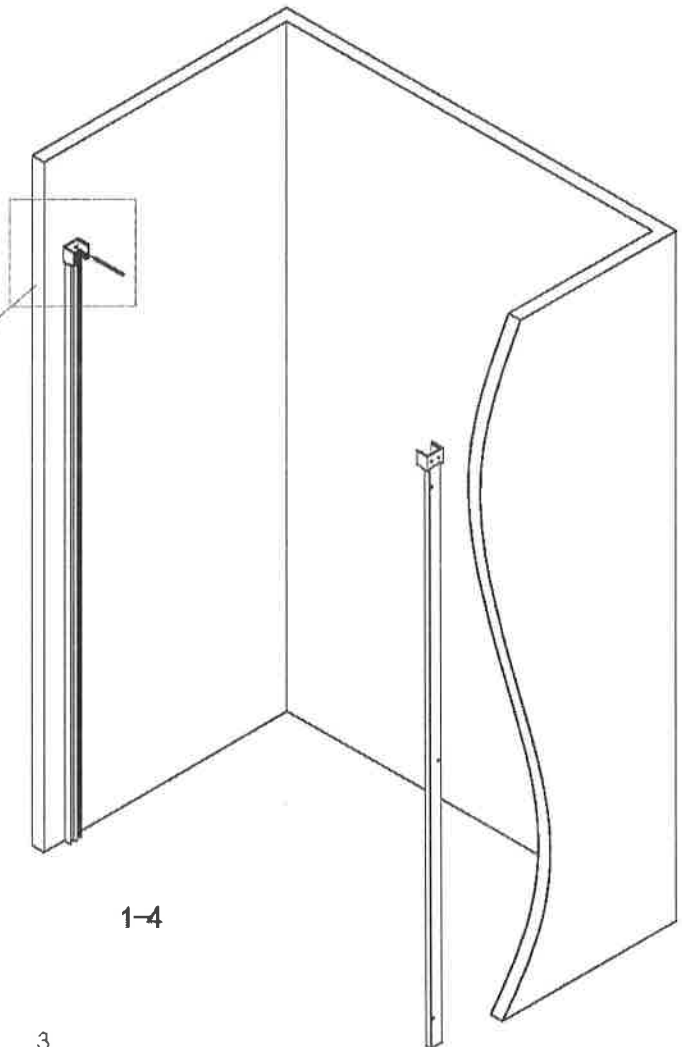
1-2

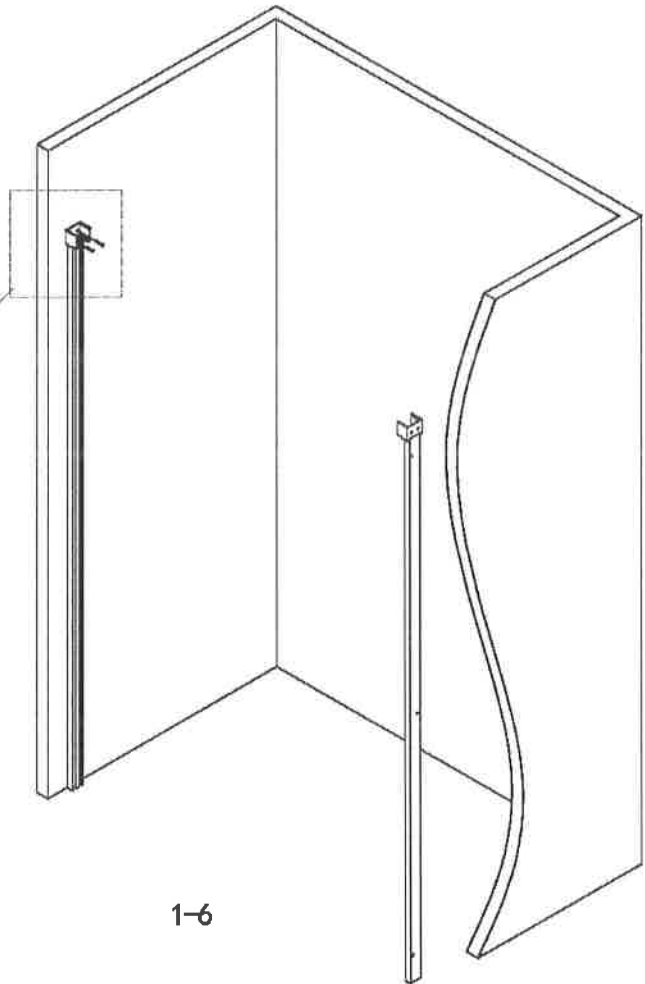
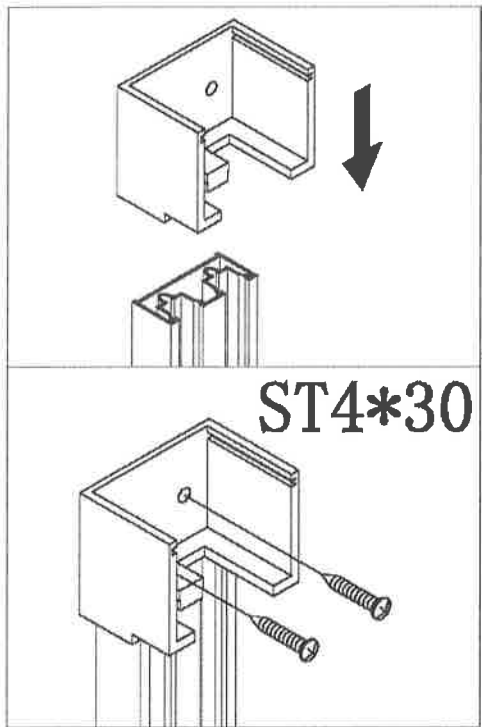
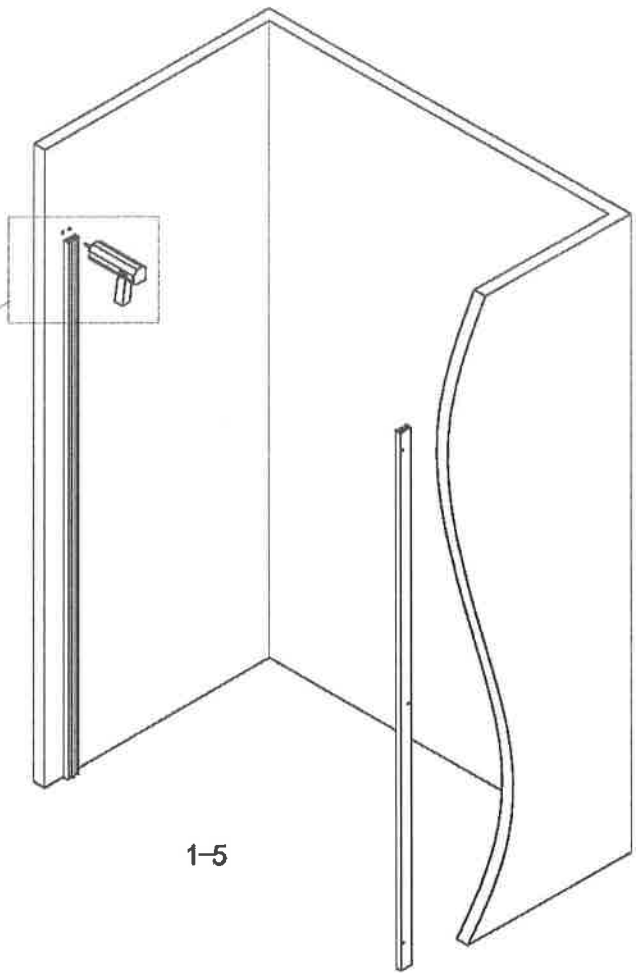
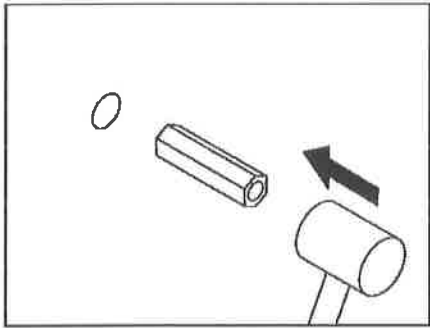
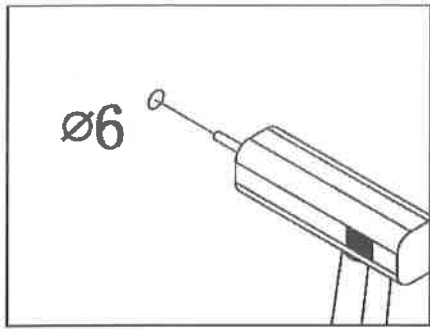


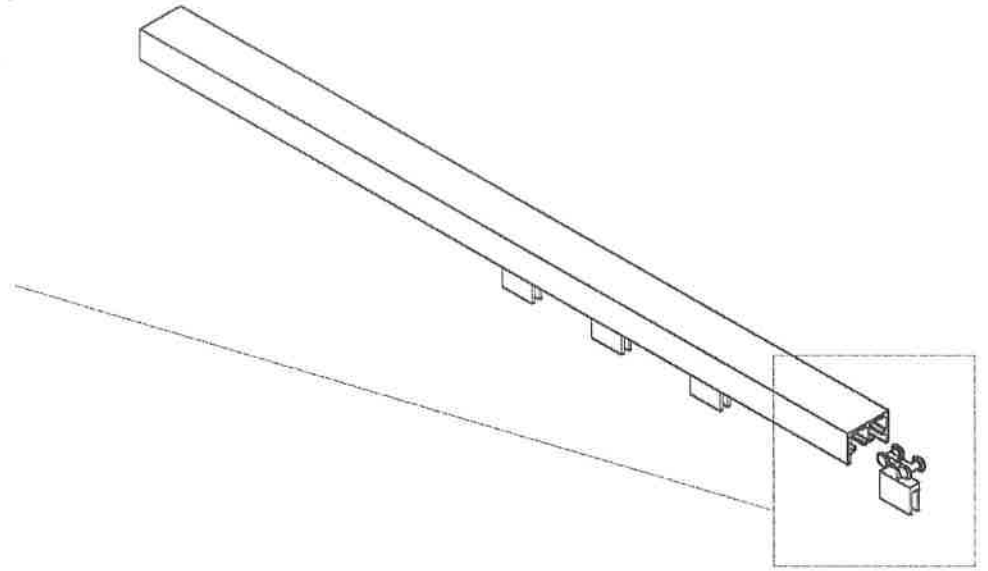
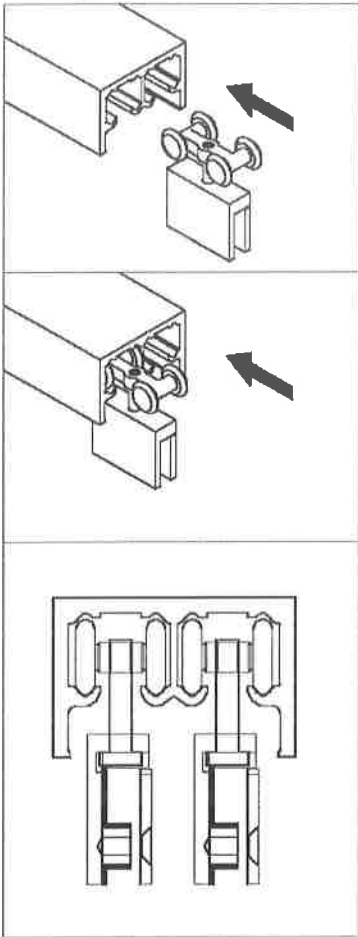
NOTE : OUTSIDE 2 SCREWS ,INSIDE 1 SCREW



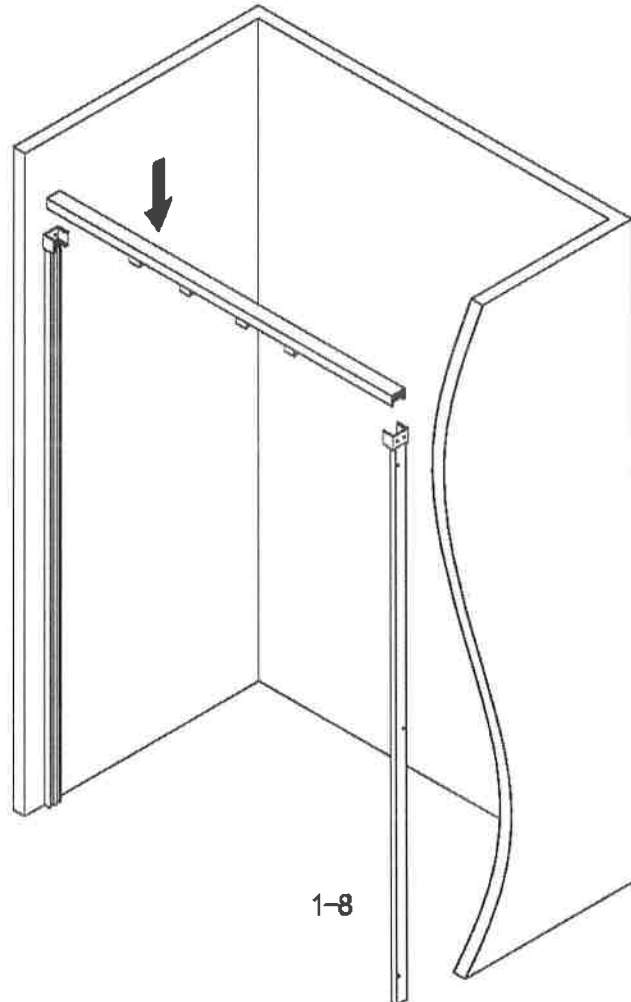
Pencil

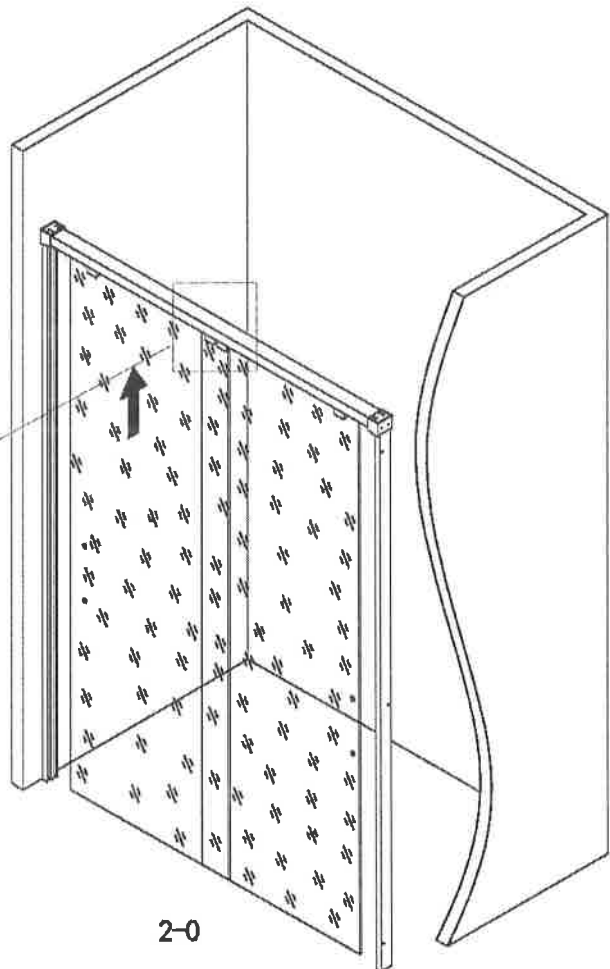
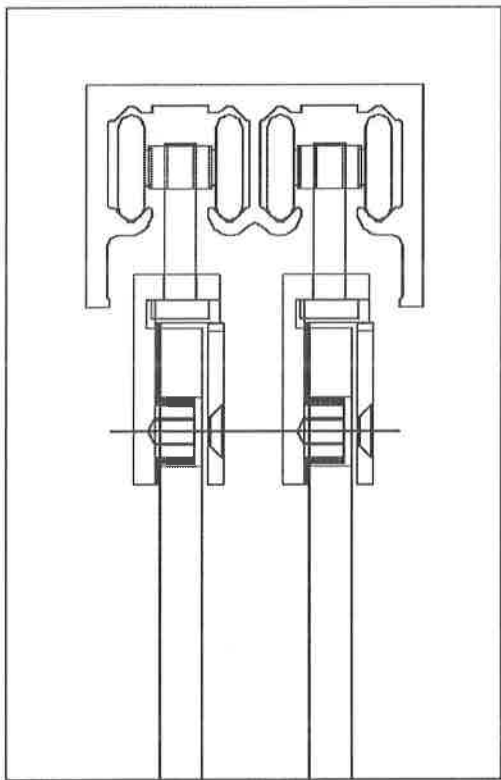
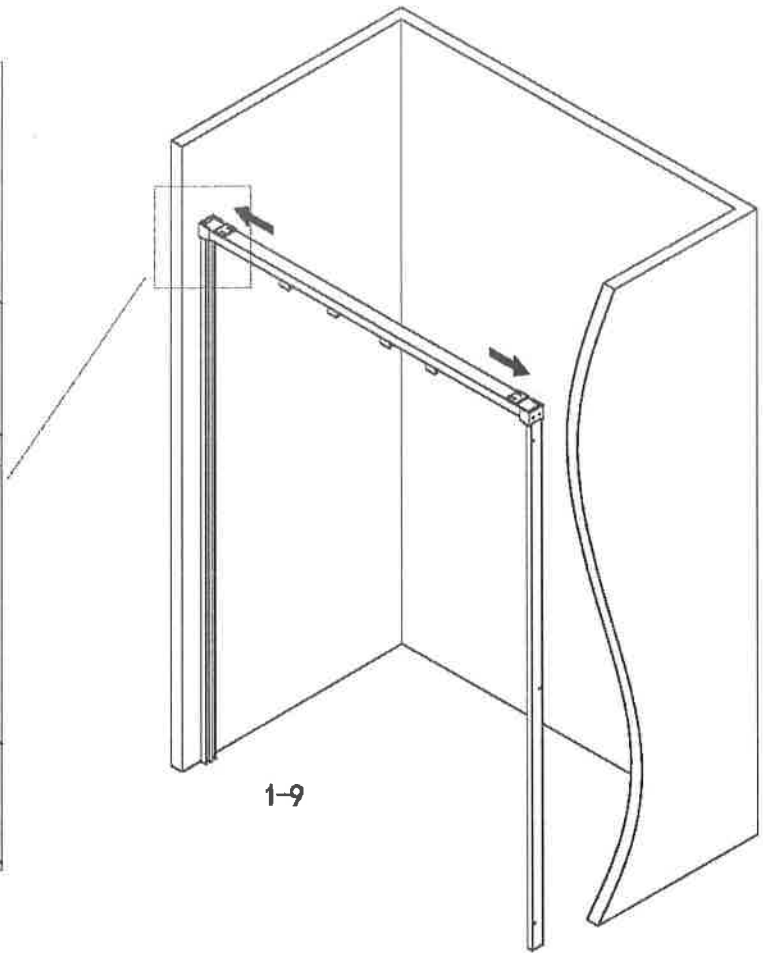
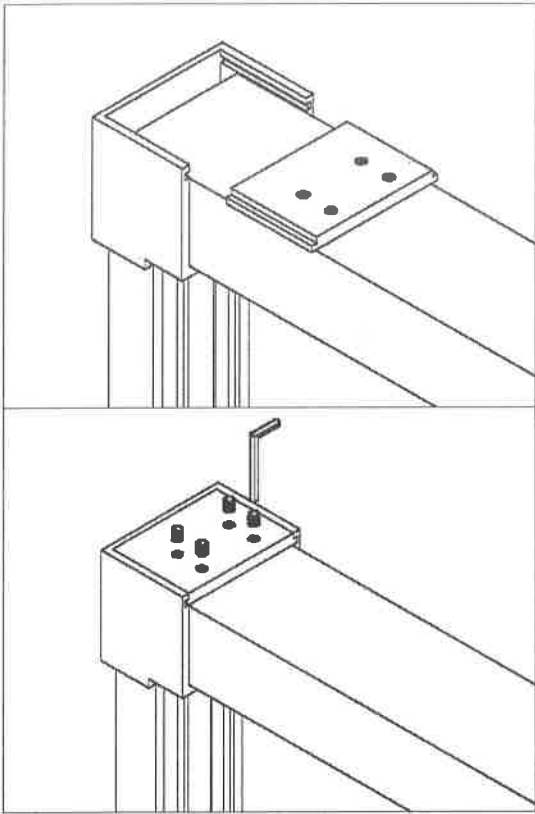


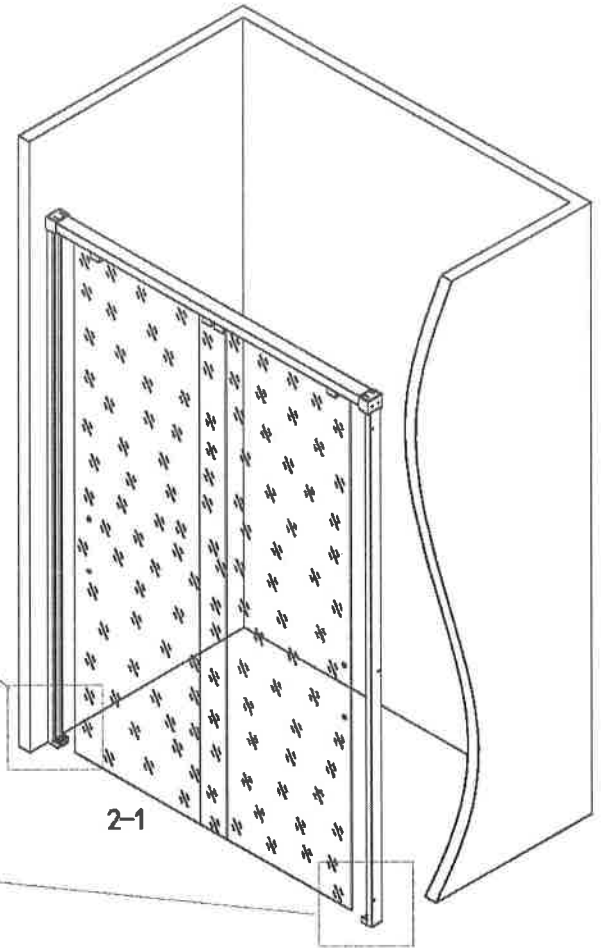
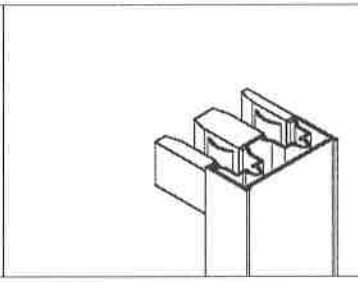
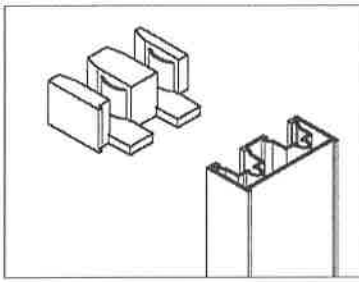
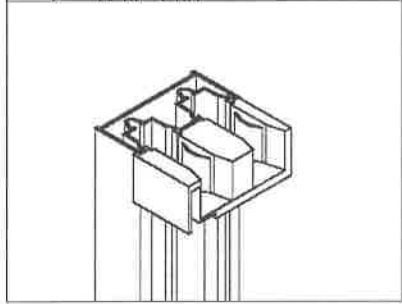
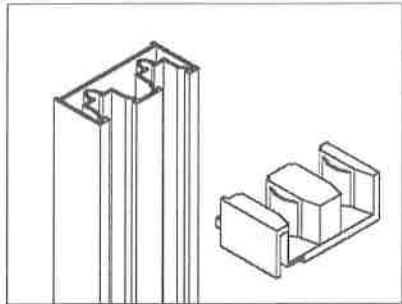




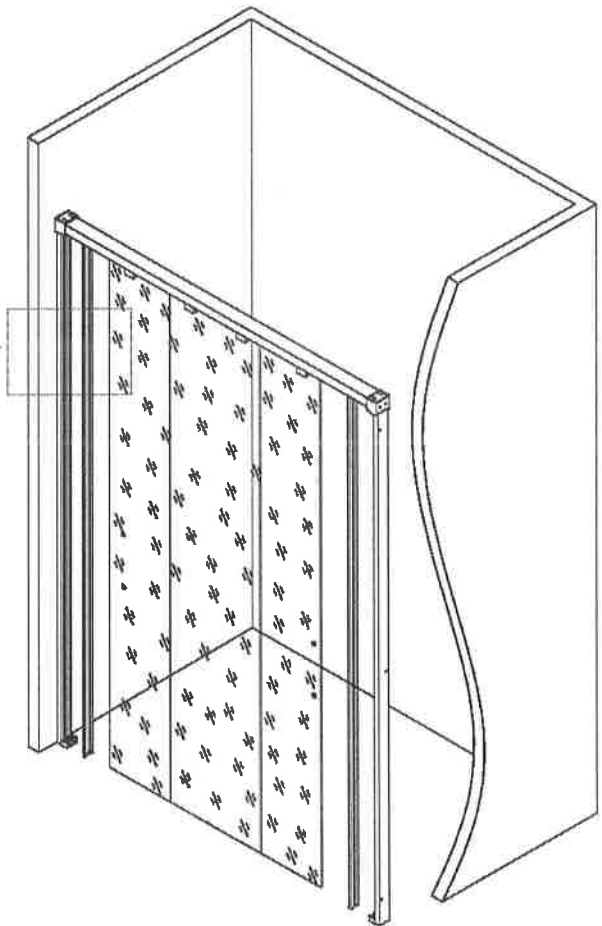
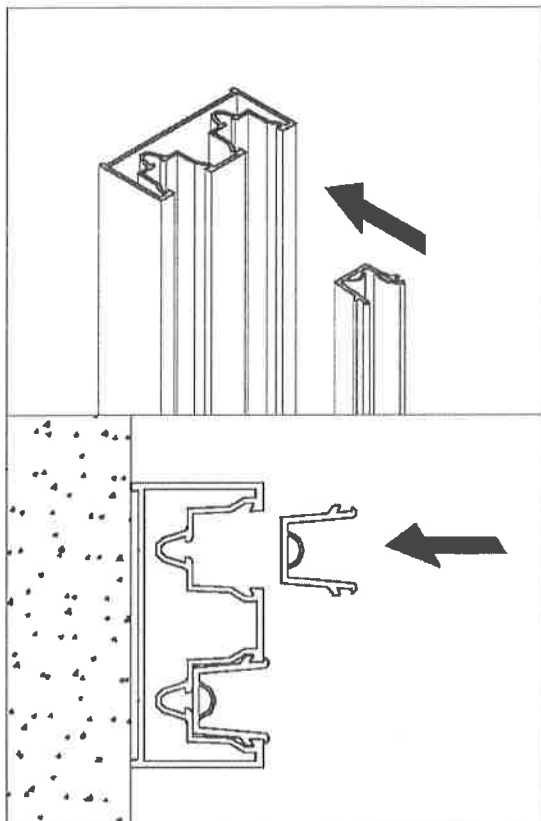
1-7



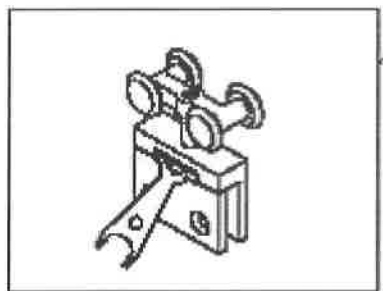
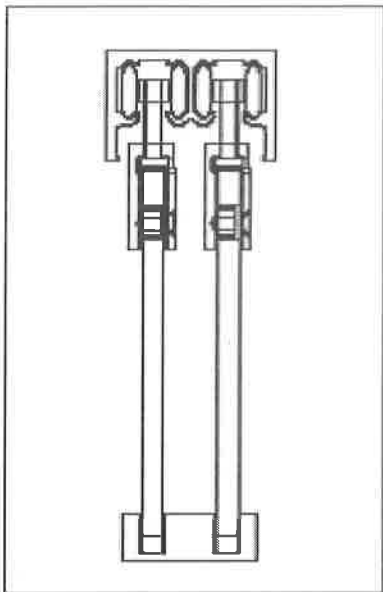




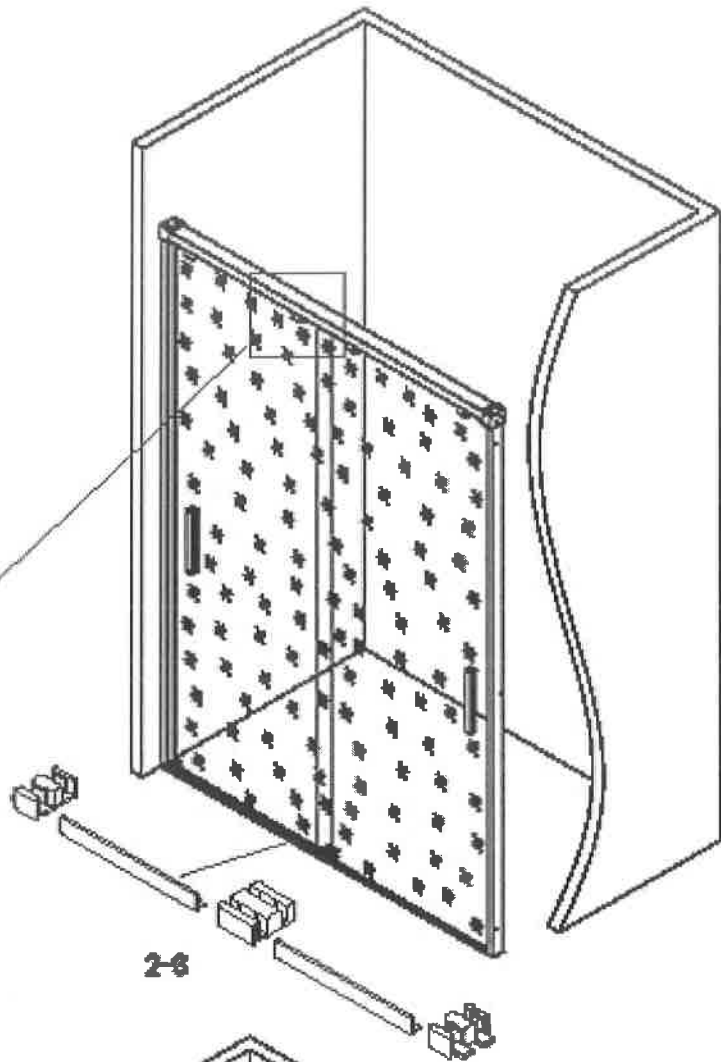
2-1



2-2



**adjust the pulley to fit for  
the glass**

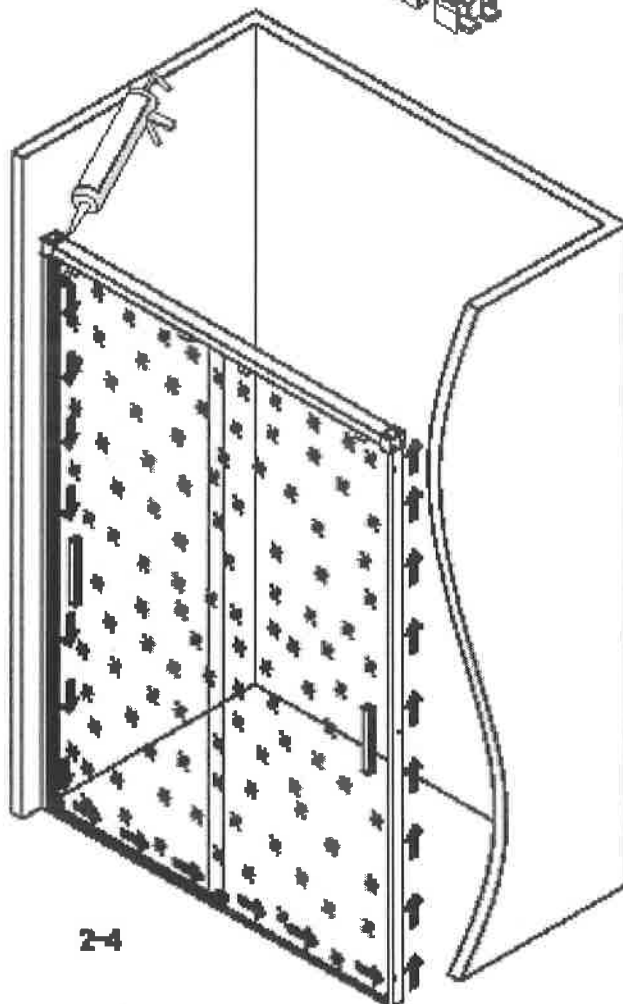


**2-6**



**24 h**

**SILIKON**



**2-4**